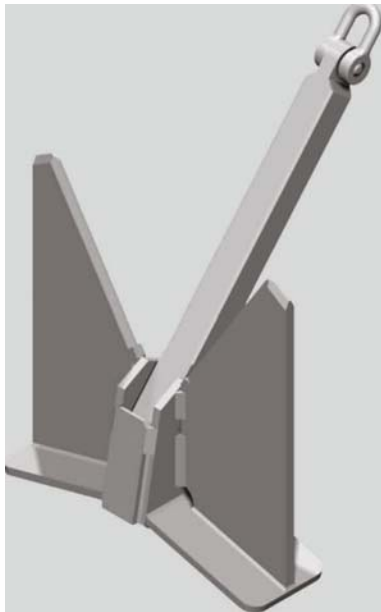


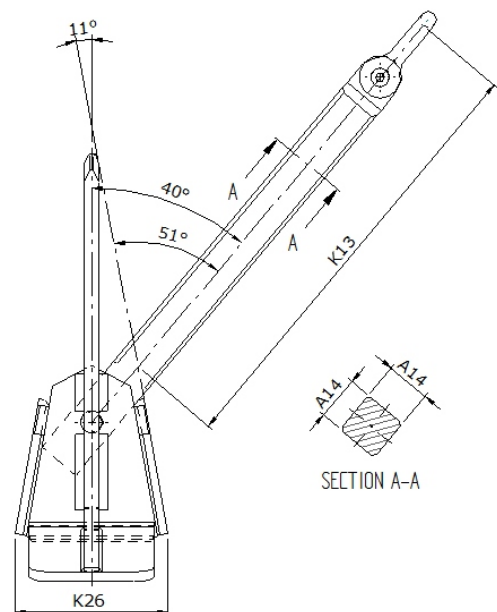
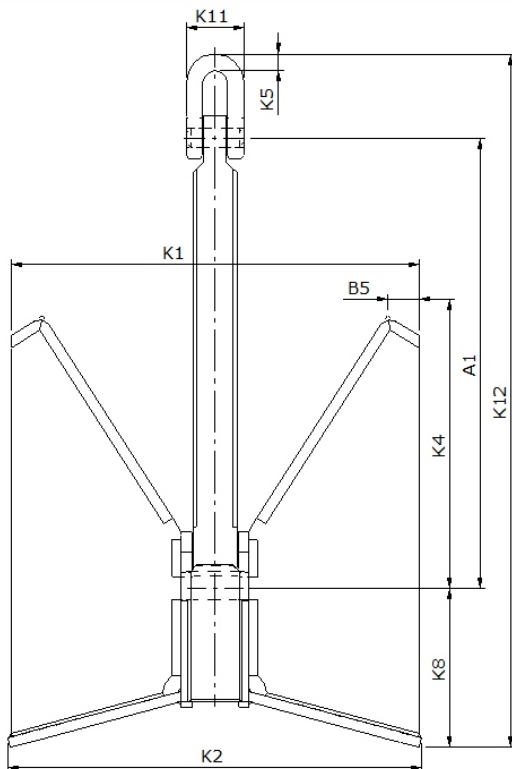
# HHP-POOL<sup>®</sup> TW

## FULLY BALANCED



### FEATURES

- TW anchors have the predicate HHP which allows a weight reduction of 25% compare to conventional anchors
- Welded from high tensile steel plate material
- TW anchors have large flat flukes and crownplate prevent to dig in too deep
- The extreme points and the inner edges of flukes are sharpened to enable them to dig in easily and quick
- Low force in transverse direction is necessary to lift the anchor



Weight	K1	K2	K4	K5	K8	K11	K12	K13	K26	A1	A14	B5
60	535	543	347	22	208	77	900	576	201	585	55	41
75	574	583	377	22	223	77	960	614	214	630	60	44
90	615	625	403	22	239	77	1021	651	229	675	65	48
105	642	651	416	22	247	77	1052	671	239	698	70	49
125	681	691	444	28	264	98	1143	732	253	745	75	52
135	703	714	461	28	274	98	1182	756	261	774	75	55
150	721	731	470	28	280	98	1204	770	270	790	75	56
160	734	746	480	28	284	98	1221	780	273	803	80	57
180	780	791	511	28	303	98	1295	826	293	858	80	60
200	798	810	516	28	307	98	1309	835	297	868	90	61
225	830	843	544	28	321	98	1365	870	309	910	90	64
240	844	857	554	28	328	98	1391	886	314	929	90	65
270	892	906	577	28	344	98	1449	921	333	971	100	68
315	922	936	602	32	358	111	1528	976	344	1009	100	71
360	978	663	637	32	380	111	1613	1029	362	1072	110	75
430	1016	1032	664	32	394	111	1669	1064	380	1114	110	78
495	1072	1090	700	40	415	140	1791	1148	398	1174	120	83
585	1142	1160	753	40	446	140	1710	1222	428	1262	120	89
675	1186	1205	775	40	461	140	1963	1254	443	1300	130	92
720	1224	1243	803	40	479	140	2031	1296	457	1350	130	95
765	1250	1269	820	40	489	140	2068	1319	471	1377	130	97
800	1264	1282	824	50	490	173	2107	1345	473	1383	140	97
855	1286	1306	841	50	500	173	2145	1368	481	1411	140	99
970	1350	1372	883	50	524	173	2238	1427	501	1480	150	104
1000	1358	1379	888	50	528	173	2252	1435	504	1490	150	105
1080	1406	1426	918	50	545	173	2319	1477	529	1540	150	108
1195	1438	1461	943	50	561	173	2377	1512	541	1582	150	111
1250	1456	1479	950	60	565	210	2463	1583	544	1593	160	112
1305	148	1509	973	60	579	210	2518	1617	556	1634	160	115
1440	1544	1568	1008	60	601	210	2610	1669	574	1695	170	119
1575	1584	1609	1032	60	615	210	2655	1702	596	1735	170	122
1710	1622	1647	1065	60	633	210	2724	1745	611	1786	170	126
1845	1674	1702	1097	75	653	260	2856	1833	627	1842	180	130
1980	1704	1731	1119	75	667	260	2908	1865	638	1880	180	132
2140	1754	1781	1149	75	685	260	2979	1909	654	1933	190	136
2295	1802	1830	1186	75	701	260	3045	1951	677	1983	190	140
2475	1828	1857	1196	75	710	260	3075	1969	683	2004	200	141
2655	1884	1913	1239	75	735	260	3174	2031	705	2078	200	146
2835	1928	1958	1265	80	752	285	3275	2103	718	2122	210	149
3040	1962	1993	1282	80	764	285	3319	2130	737	2154	210	152
3240	2008	2040	1310	90	780	320	3429	2206	751	2202	220	155
3445	2054	2086	1349	90	802	320	3512	2257	769	2263	220	159
3670	2092	2125	1371	90	816	320	3564	2289	780	2301	230	162
3940	2144	2176	1404	90	834	320	3636	2335	806	2355	230	166